

AFL Series Pump

Operation and Maintenance Manual Air Driven, High Pressure Liquid Pump

Catalog: 02-9309ME

March 2013

aerospace
climate control
electromechanical
filtration
fluid & gas handling
hydraulics
pneumatics
process control
sealing & shielding



ENGINEERING YOUR SUCCESS.

Model # _____
Serial # _____
Drawing # _____
Order # _____
Mfg. Date _____

TABLE OF CONTENTS

PAGE

1.0	Introduction	3
2.0	Meaning of Safety Words.....	3
3.0	Product Specification	3
4.0	Unpacking.....	3
5.0	Tools	3
6.0	Installation	3
6.1	Compressed Air Supply	4
6.2	Liquid Section	4
7.0	Pump Start-Up.....	5
8.0	Process Media	5
9.0	Pump Functionality	6
10.0	Suggested Maintenance	6
11.0	Trouble Shooting-Pneumatic Section.....	7
12.0	Trouble Shooting-High Pressure Liquid Section	8
13.0	Service.....	8

Section 1.0 Introduction

The Parker Autoclave Engineers pump discussed in this manual is operated using compressed air up to 150 psi (10 bar). Autoclave Engineers AFL Series pumps are used for pumping oil, water and oil/water mixtures. Special seals are also available for chemical service. Please contact Parker Autoclave Engineers to discuss availability of special seals. The pump operates using a pressure ratio of the air piston diameter to the liquid plunger diameter. Pumps are available in pressure ranges up to 15,500 PSI (1069 bar).

The pump model number coincides with the approximate nominal ratio of the pump; ex. AFL100-01 is a 113:1 ratio, with an input air of 100 psi the output pressure would amount to 11,300 PSI (779 bar). (Output pressure = actual ratio x input air pressure). Refer to the product literature for the actual air pressure ratio.

Section 2.0 Meaning of Safety Words

A safety related message is identified by a safety alert symbol and a signal word to indicate the level of risk involved with a particular hazard. The definitions of the three signal words are as follows:



WARNING indicates a potentially hazardous situation which, if not avoided, could result in death or serious injury.



CAUTION indicates a potentially hazardous situation which, if not avoided, may result in minor or moderate injury.

Special notes intended to bring attention to procedures that must be followed to ensure proper installation and performance will be placed in a box labeled **NOTICE**.

Section 3.0 Product Specification

See assembly drawing for product specifications:

- Pump Geometry
- Pump Materials of Construction
- Maximum Allowable Working Pressure
- Maximum Working Temperature
- Pressure Ratio
- Displacement
- Repair Kit Part Numbers
- Torque Information
- Weights

Section 4.0 Unpacking

The pump has been assembled and pressure tested at Parker Autoclave Engineers and is ready to be put into service. The shipping carton should be opened and the contents carefully examined upon receipt from the carrier. Make sure there is no obvious damage to the contents. **DO NOT** use the equipment if any damage is evident. If damage has occurred, file a claim with the shipper before contacting Parker Autoclave Engineers Service Department.

Examine all material within the container and check against the packing list to be sure all items are accounted for and are not damaged. Verify that the equipment model number supplied agrees with what was ordered.

Section 5.0 Tools

At minimum, the tools required for installation of the pump include a torque wrench, an open end wrench adapter (crows foot adapter) and an open end adjustable wrench.

Refer to the Tools, Maintenance and Installation Manual provided with the Data Book for information on torque wrenches and torque values for Parker Autoclave Engineers tubing and fittings.

Section 6.0 Installation



WARNING
Please read this manual in its entirety before attempting to operate a Parker Autoclave Engineers high pressure liquid pump



WARNING
Installation to be performed only by properly trained individuals.



WARNING
Proper protective safety gear must be worn while installing and operating the pump.

For best performance and life, the pump should be installed in the vertical position. This will prevent side loading on the air piston seals. The pump will, however, function in any position.

The pump will attach to the mounting location using (4) 1/2" bolts. There are 4 holes provided on each pump for mounting.

 **WARNING**

Always bolt the pump to a substantially solid surface using the slotted holes provided.

 **CAUTION**

AFL Pumps have a maximum sound level of 87 dBA. Wear hearing protection while working with or near the pump.

Section 6.1 Compressed Air Supply

NOTICE

Unless otherwise noted, all air line accessories for the pump air drive should have, at minimum, a 3/4" FNPT connection. The tubing/piping used to connect the components should have the maximum ID the pressure rating will allow. Reducing the size before the air inlet will reduce air pressure flow and reduce flow rate of the pump.

The main air drive connection port on the pump is a female 3/4" FNPT and is located in the spool valve housing. An additional female 1/8" FNPT air pilot valve connection port is located in the bottom cap next to the spool housing. This pilot connection must be plumbed to an unregulated filtered air source. The purpose of this connection is to aid in low pressure differential start-up and restart of the pump while providing a more accurate pressure control. The pump will not function if this unregulated air supply is not connected to the pilot valve port.

The pump is assembled at the factory using permanent synthetic grease in the air drive moving parts.

NOTICE

The use of an air line lubricator is not required and is not recommended. The oil in the air lubricator will cause the factory installed grease to be purged from the pump. Once an air lubricator is used the pump can never again be operated without an air lubricator.

An air line filter with a minimum 5 microns filtration rating must be used on the supply line. If the air supply is not dry, a mist separator must be used to remove moisture in the air line.

Parker Autoclave Engineers can supply a complete air control package that includes a filter, air pressure regulator, air pressure gauge and shutoff valve. Mist separators are also available. Contact the factory for more details on these options.

The pump is designed to function from 15 psi to 150 psi (1 to 10 bar) air input pressure.

Section 6.2 Liquid Section

All AFL series pumps have a high pressure liquid outlet port located on the side of the pump head. The suction inlet port on all AFL series pumps is positioned at the bottom of the head.

Inlet: A liquid filter with at least a 100 mesh size must be installed before the suction port inlet to prevent damage to the check valves and high pressure seals due to debris.

NOTICE

For best performance, a liquid supply reservoir should be located higher than the inlet gland on the pump to create a small pressure head. Be sure to make an air tight seal between the reservoir and the pump inlet connection. The connections between the reservoir and pump inlet should not be reduced from the 1" FNPT connection size.

The tubing or piping should be made from a corrosion resistant material and sized with a maximum ID to fit the 1" pipe connections.

NOTICE

Restricting flow at the liquid inlet will cause problems with check valve performance and reduce output flow.

Outlet: The outlet tubing ID must, at minimum, match the same size of the pump check valve gland port. Refer to product literature for outlet connections details for each pump. Reducing outlet tubing or connection will reduce output liquid flow capacity.

 **WARNING**

The high pressure tubing must be rated to at least the maximum pump output pressure.

! WARNING

Verify liquid pressure system is protected with an over pressure relief device.

**Section 7.0
Pump Start-Up**

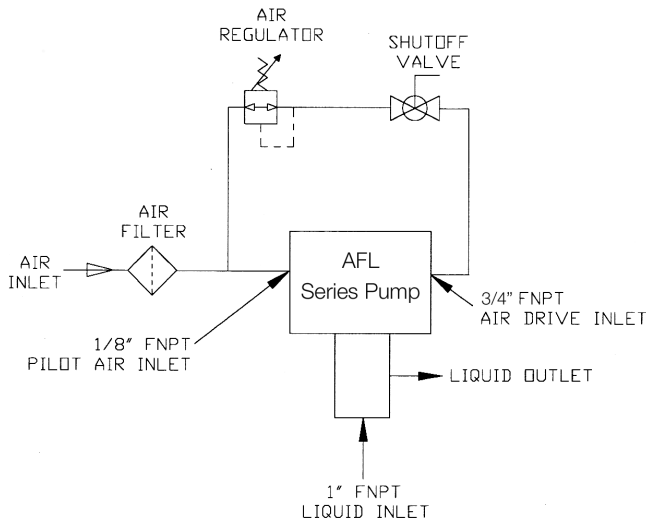


Fig. 7.0 Air Line Schematic

As shown above, a filtered main air supply line is required. The filtered air supply will go to a pressure regulator which can be set to achieve the desired output liquid pressure according to the pressure ratio of the pump.

! WARNING

Use an air pressure regulator to assure maximum air drive pressure listed on the pump label is not exceeded. An air pressure regulator must also be used to assure the pump will not exceed maximum liquid output pressure listed on the pump label.

! WARNING

The pump and high pressure liquid system must be vented prior to installation and start-up.

The pumps unique design allows for self priming. To prime, regulate the air pressure to between 15 psi (1 bar) or lower or use an air flow regulator to reduce to a slow stroke frequency. With the high pressure side connected to a vented system, allow the pump to cycle until a consistent flow of liquid is achieved. Let the pump flow freely to purge any air in the liquid system. Loosening the outlet gland or pipe can also assist in priming the pump.

! WARNING

Be sure to securely tighten high pressure tube, pipe or gland with the appropriate torque after the priming has been achieved. Reference Tools, Installation, Operation and Maintenance Manual for tube gland torque value.

Increase the air pressure using the air pressure regulator until you achieve your desired output liquid pressure. At this point the pump will stall. You can calculate the output pressure by multiplying the input air supply by the actual pressure ratio of the pump. The pump will automatically restart if there is a drop in downstream high pressure.

! WARNING

DO NOT exceed the maximum liquid pressure and temperature rating specified on the assembly drawing and label for your pump. It is recommended to use a liquid relief valve or rupture disk to prevent over pressurization of your high pressure system. DO NOT exceed the maximum air drive pressure listed on your pump label.

**Section 8.0
Process Media**

Parker Autoclave Engineers pumps discussed in this manual are used for pumping oil, water and oil/water mixtures. Special seals are also available for chemical service. Please contact Parker Autoclave Engineers to discuss availability of special seals.

! WARNING

While testing has shown o-rings to provide satisfactory service life, actual life will vary widely with differing service conditions, properties of reactants, pressure and temperature cycling and age of the o-ring. FREQUENT INSPECTIONS SHOULD BE MADE to detect any deterioration and o-rings replaced as required.



WARNING

The user is required to verify material compatibility with fluid based on corrosion resistance. A material list is provided on the assembly drawing to aid you in the evaluation.

Pumps are not designed to run for long periods of time without liquid process media. Short, dry pumping cycles should not be a cause for concern. However, pumps are built using lubricant in the seal areas and **pumping without fluid will wear away lubricant and compromise the seal.**

The operating temperatures of the pump are between 0°F to 140°F (18°F to 60°F).

Section 9.0 Pump Functionality

When the pump is installed, maximum system air is connected to 1/8" FNPT pilot air inlet and is sealed off by pilot valve assembly in the top end cap and does not enter the spool housing. Regulated air is connected to the spool housing at the 3/4" FNPT pump inlet.

- 1) Regulated inlet air pressure enters spool housing and moves spool to the left directing air into large pressure tube to the bottom end cap pushing the air piston and liquid plunger upward.
- 2) The upward movement causes a suction of liquid into the high pressure pump head while inlet check valve is open and outlet check valve is closed. The outlet check valve and a second hydraulic seal attached to plunger allows liquid in the head to be compressed and high pressure to flow during the suction stroke.
- 3) The air piston continues to move up until it hits the pilot valve assembly in the top end cap.
- 4) The top pilot valve opens allowing max system air pressure to shift the spool valve so that it now directs air drive pressure through the top end cap and pushes the air piston and liquid plunger downward.
- 5) The plunger action moving down compresses the fluid on the high pressure pump head while the inlet check valve is closed and outlet check valve is open to allow high pressure flow.
- 6) While the air drive pressure is acting on top of the piston, the bottom area of the piston is vented through the exhaust muffler.
- 7) Piston continues to move down until it hits the pilot valve assembly in the bottom end cap.

- 8) The bottom pilot opens which vents max system air pressure from the large diameter side of the spool.
- 9) This causes spool to move to the left, while air is vented from the top end of the air cylinder through the exhaust muffler.
- 10) The entire process starts again at step one until the maximum outlet hydraulic pressure is reached based on the pressure ratio of the pump.

SECTION 10.0 Suggested Maintenance



WARNING

All pumps must be inspected periodically in order to assure proper and safe operating condition. Failure to inspect pump can result in serious and catastrophic harm to personnel and the surrounding facility.

- A. Before each pump use, a quick inspection should be performed to insure there are no loose bolts, nuts, set screws or check valve glands. Tighten any loose bolts and fittings according to the torque values listed on the pump assembly drawing. A visual inspection should also be made before each use and at startup to make sure there is no evidence of fluid leaks from isolation chamber drain ports, check valves connections and muffler. If liquid mists out of the muffler for more than 5 strokes, it is time to replace your hydraulic high pressure seals. Refer to the troubleshooting guide for solutions to these fluid leaks.
- B. The maintenance schedule of the pump depends on the frequency of use, cleanliness of media, type of media, cycle rates, output pressures, cleanliness of air or any other conditions that may be damaging to seal integrity. Once a clear pattern develops of how long a pump is in service before pump performance declines, it is recommended to perform maintenance in advance of this time frame. At minimum, perform maintenance on the pump once a year as described below.

Maintenance would include:

- Re-lubrication or replacement of spool valve o-ring
- Re-lubrication or replacement of air drive seals
- Re-lubrication or replacement of pilot valve o-rings and gaskets
- Replace check valve components
- Replace high pressure hydraulic seals

C. Maintenance instructions are supplied with appropriate rebuild kits. Kit part numbers are listed on the assembly drawing.



WARNING
Before attempting to disassemble the pump or loosen fittings in a pressure system, be sure that liquid pressure has been totally vented.



WARNING
Before attempting to perform maintenance on the pump, assure that air supply pressure is shut off and vented from the pump.

Section 11.0 Trouble Shooting - Pneumatic Section

Problem: Pump will not operate with low air pressure.

Cause: Excessive friction of o-rings on the spool valve has increased the pressure required to move spool.

Solution: Replace and lubricate the o-rings on spool

Problem: Pump can only be actuated at high air pressure.

Cause: Air is leaking through the o-rings between the end cap and air cylinder.

Solution: Replace and lubricate o-ring on lip of the end cap.

Problem: Pump will not run and air escaped through the exhaust muffler.

Cause:

- a) Spool valve o-rings are leaking.
- b) Spool sleeve o-rings are leaking.
- c) Outside o-ring(s) on air piston(s) is leaking.
- d) Seal between air piston and liquid plunger is leaking.

Solution:

- a) Replace and lubricate spool valve o-rings.
- b) Replace and lubricate sleeve o-rings.
- c) Replace and lubricate air piston o-ring(s).

d) Replace o-ring on bottom plunger (two piece plunger designs), or add Loctite 2760 thread locker with sealant on plunger threads (one piece plunger designs).

Problem: Pump will not run and air escapes through the pilot valve vent in the bottom end cap.

Cause: Pilot valve gasket or o-ring is not sealing in the bottom cap.

Solution: Replace and lubricate pilot valve gasket and o-ring. If necessary, also replace the tappet rod.

Problem: Pump operates at a high frequency and short strokes.

Cause: The top or bottom pilot valves are defective.

Solution: Replace and lubricate both pilot valve gaskets and o-rings. If necessary also replace the tappet rods.

Problem: Air leaking at isolation chamber drain connection.

Cause: The rod seal and/or the o-ring on the seal retainer is leaking.

Solution: Replace and lubricate both the o-ring and rod seal assembly.

Problem: Pump functions slowly or doesn't operate at all.

Cause:

- a) Condensation from air supply is freezing the spool valve.
- b) Air muffler is clogged.

Solution:

- a) Stop pump for a short period and replace or add a mist separator in the air line.
- b) Clean or replace air muffler.

Section 12.0 Trouble Shooting - High Pressure Liquid Section

Problem: Pump does not produce liquid flow, operates irregularly or does not maintain pressure.

- Cause:**
- a) Air in the hydraulic system.
 - b) Suction line excessively long.
 - c) Suction tubing sized too small.
 - d) Failure of one of the check valves.
 - e) Liquid inlet filter is blocked.
 - f) High pressure seal excessively worn.
 - g) O-ring in pump head is leaking.

- Solution:**
- a) Check inlet suction line and connections for leaks and allow pump to flow freely downstream so as to remove any air.
 - b) Shorten liquid supply line.
 - c) Increase tubing ID size between reservoir and pump inlet.
 - d) Clean or replace both inlet and outlet check valve assemblies.
 - e) Clean or replace liquid inlet filter.
 - f) Replace high pressure seal assembly.
 - g) Replace o-ring in pump head.

Problem: Fluid leaking at isolation chamber drain connection.

Cause: High pressure seal is leaking.

Solution: Replace high pressure seal.

Section 13.0 Service

Contact Parker Autoclave Engineers for service. Pumps can be sent directly to Parker Autoclave Engineers for service. Pumps returned for service should be accompanied with the model number, serial number, manufacture date and problems you are experiencing.



WARNING

Use only originally specified parts when installing or maintaining high-pressure equipment and follow all Parker Autoclave Engineers maintenance and assembly procedures. Do not use any parts from other equipment to make repairs or modifications. Contact Parker Autoclave Engineers with any questions or if sufficient information to complete the installation, maintenance and operation of the equipment has not been included.

WARNING

FAILURE, IMPROPER SELECTION OR IMPROPER USE OF THE PRODUCTS AND/OR SYSTEMS DESCRIBED HEREIN OR RELATED ITEMS CAN CAUSE DEATH, PERSONAL INJURY AND PROPERTY DAMAGE.

This document and other information from Parker Hannifin Corporation, its subsidiaries and authorized distributors provide product and/or system options for further investigation by users having technical expertise. It is important that you analyze all aspects of your application and review the information concerning the product or system in the current product catalog. Due to the variety of operating conditions and applications for these products or systems, the user, through its own analysis and testing, is solely responsible for making the final selection of the products and systems and assuring that all performance, safety and warning requirements of the application are met. The products described herein, including without limitation, product features, specifications, designs, availability and pricing, are subject to change by Parker Hannifin Corporation and its subsidiaries at any time without notice.

Offer of Sale

The items described in this document are available for sale by Parker Hannifin Corporation, its subsidiaries or its authorized distributors. Any sale contract entered by Parker will be governed by the provisions stated in Parker's standard terms and conditions of sale (copy available upon request).

